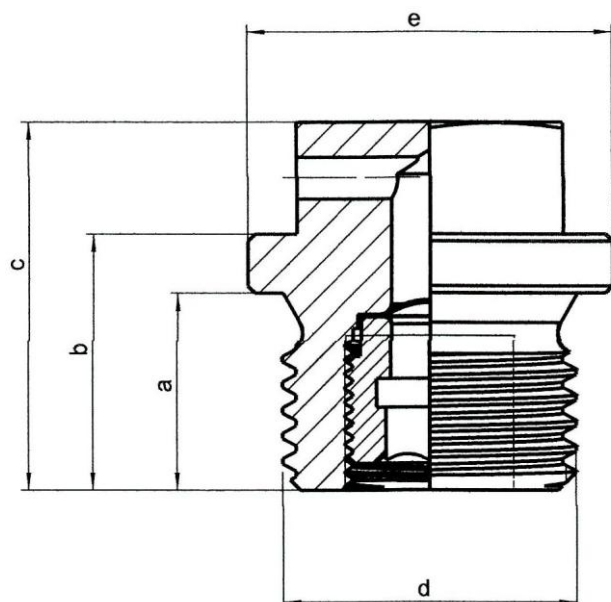




Hybrid Assembly® DGBM*

Shape similar to locking plug DIN 910



d	a	b	c	e	WS	DN	suitable for pressures
G 1/8"	8 mm	11 mm	17,0 mm	14 mm	10	min. 2,0 mm	40 – 1000 bar
G 1/4"	12 mm	15 mm	20,8 mm	18 mm	13	4,0 mm	30 – 1000 bar
G 3/8"	12 mm	15 mm	20,8 mm	22 mm	17	5,5 mm	10 – 1000 bar
G 1/2"	14 mm	18 mm	26,2 mm	26 mm	19	5,5 mm	10 – 1000 bar
G 3/4"	16 mm	20 mm	29,8 mm	32 mm	24	12,7 mm	1 – 500 bar
G 1"	16 mm	21 mm	32,0 mm	39 mm	27	12,7 mm	1 – 500 bar

- Sealing with** : O-ring, USIT-rings or metallic seals (Cu, Al)
Marking : by laser
Housing : stainless steel 1.4404
- Bursting elements made of** : nickel
: stainless steel
: inconel
(according to requirements and/or availability)

* DGBM (Gebrauchsmusterschutz Aktenzeichen 20308715.1)