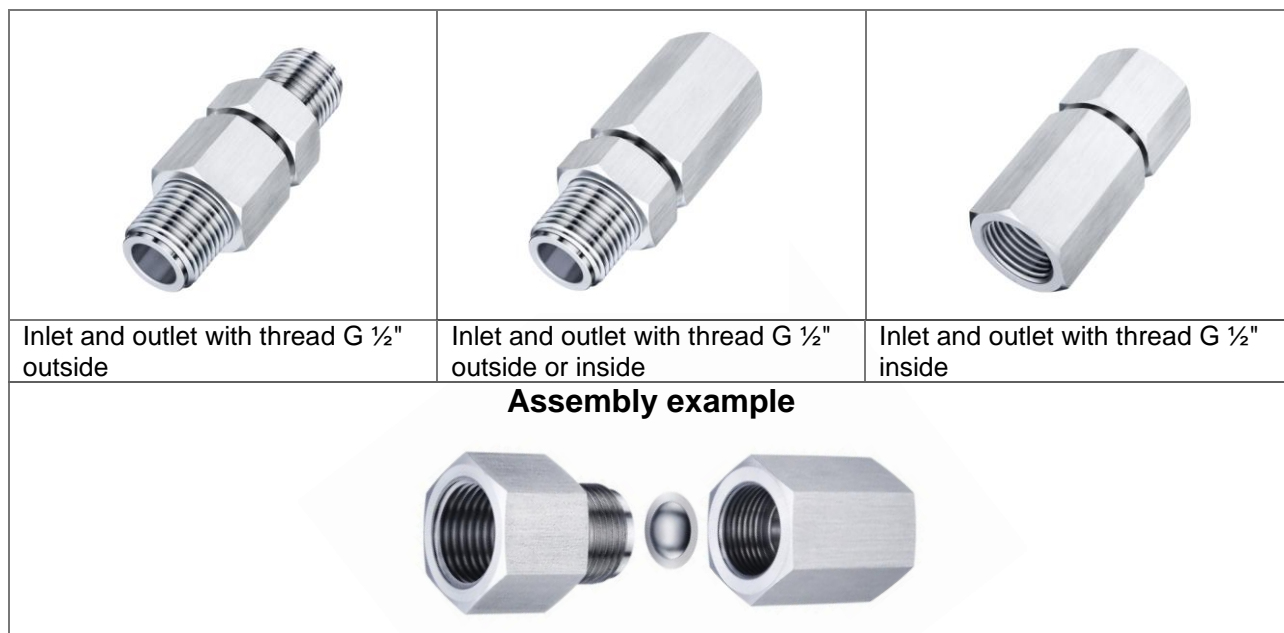




Hybrid System – G1/2" WBS

System with exchangeable bursting discs for multiple use



All fittings can be combined with one another

Wrench size:

WS 27	WS 27	WS 27
-------	-------	-------

Total lengths:

74 to 77 mm	72 to 75 mm	63 to 66 mm
-------------	-------------	-------------

Thread lengths:

on both sides 19 mm outside	outside 19 mm inside 17 mm	on both sides 17 mm inside
-----------------------------	-------------------------------	----------------------------

Nominal size DN:

1/2" or 12.7 mm	1/2" or 12,7 mm	1/2" or 12.7 mm
-----------------	-----------------	-----------------

Body material:

stainless steel 1.4404	stainless steel 1.4404	stainless steel 1.4404
------------------------	------------------------	------------------------

Material of the bursting elements (depending on request and availability):

Membranes made of:	<ul style="list-style-type: none"> - nickel - stainless steel - inconel - aluminium 	or bursting disc assemblies
-----------------------	---	--------------------------------

Bursting pressures:

1-600 bar	1 – 600 bar	1 – 600 bar
-----------	-------------	-------------

Temperatures:

Rating of the bursting pressures at various temperatures possible on request
--

Application:

Multiple-use bursting disc holder
