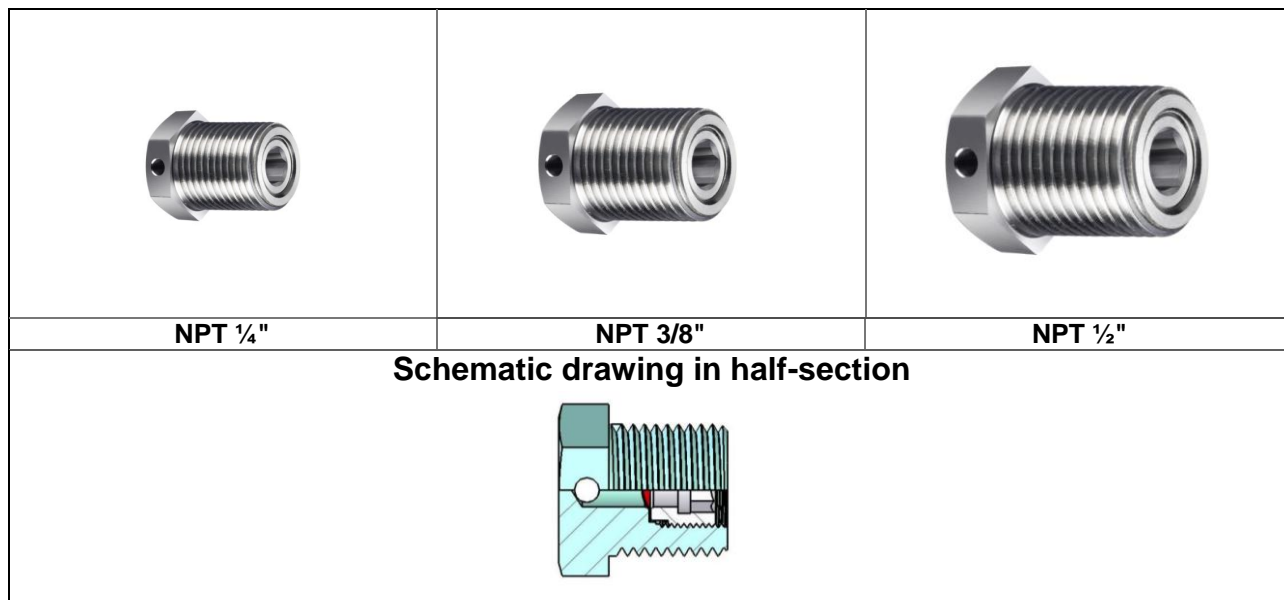


Hybrid Assembly NPT– 1/4" ; 3/8" ; 1/2"



Wrench size:

WS 17	WS 19	WS 24
-------	-------	-------

Total lengths:

19.5 mm	24 mm	27 mm
---------	-------	-------

Nominal size DN:

4 mm	5.5 mm	5.5 mm
------	--------	--------

Body material:

stainless steel 1.4404	stainless steel 1.4404	stainless steel 1.4404
------------------------	------------------------	------------------------

Material of the bursting elements (depending on request and availability):

Membranes made of:	<ul style="list-style-type: none"> - nickel - stainless steel - inconel - aluminium 	or bursting disc assemblies
-----------------------	---	--------------------------------

Bursting pressures:

40-600 bar	10 – 600 bar	10 – 600 bar
------------	--------------	--------------

Temperatures:

Rating of the bursting pressures at various temperatures possible on request
--

Application:

single use hybrid assembly
