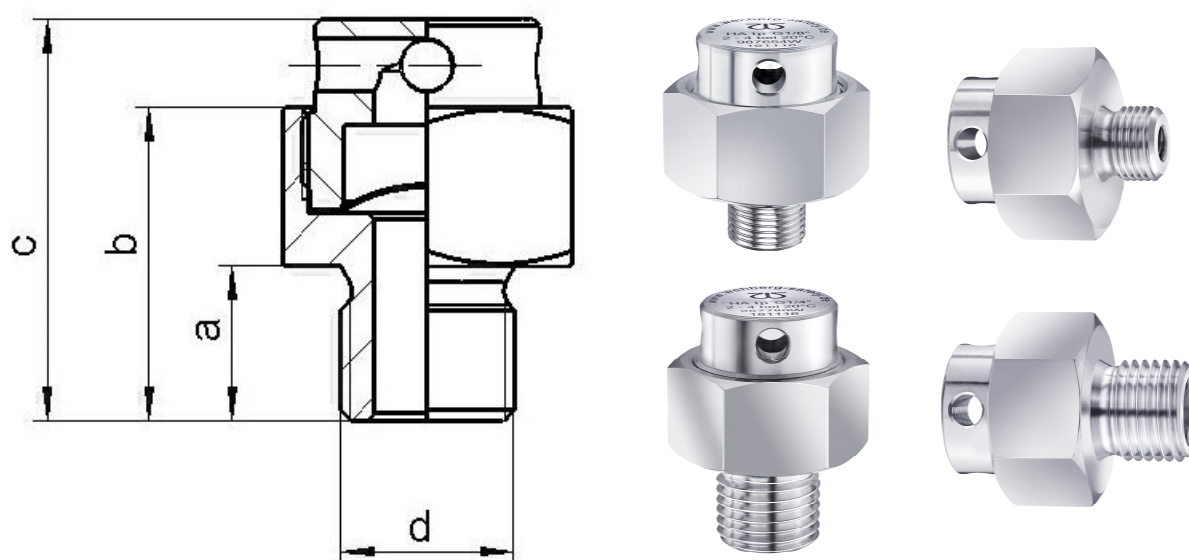


Hybrid Assembly® LP

Realizing low bursting pressures with small connection threads.



d	a	b	c	WS	DN	suitable for pressures
G 1/8"	8 mm	20 mm	27,0 mm	22	12,7 mm	3 - 175 bar
G 1/4"	12 mm	24 mm	30,8 mm	22	12,7 mm	3 - 225 bar
G 1/2"	14 mm	26 mm	32,5 mm	27	12,7 mm	3 - 225 bar

Sealing with	:	O-ring, USIT-rings or metallic seals (Cu, Al)
Marking	:	by laser
Housing	:	stainless steel 1.4404
Bursting elements made of	:	nickel
	:	stainless steel
		(according to requirements and/or availability)